

LiveWire

Mini appliance. Mini price.
Maximum network visibility.

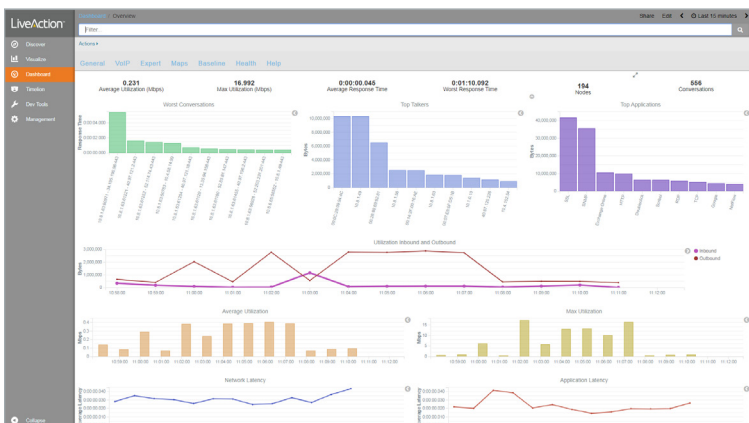
The Challenge™

Small-to-medium sized businesses (SMBs) and remote sites need powerful, affordable solutions for real-time visibility into network and application performance.

The Solution

Already the industry's most compact and cost-effective network monitoring and troubleshooting appliance, LiveWire™ enables anyone responsible for 1G networks in most SMBs and remote enterprise offices to visualize, detect, pinpoint, diagnose, and manage network issues with a single low-cost solution.

LiveWire is a compact, fanless, quad-core, six-port mini-appliance that provides all the benefits of LiveAction's enterprise datacenter solutions to networks operating at 850 Mbps or less. Built with enough storage to hold days, weeks, or months of network data, depending on network traffic:



LiveWire has built-in, long-term reporting that starts the instant you connect it to your network. Simply point your browser at LiveWire to see detailed analytics presented in intuitive dashboards. It also aggregates the data from multiple LiveWires into a single database for long-term reporting and centralized data access across multiple locations. View and analyze your data easily and intelligently with the customizable dashboards. Additionally, a version OmnipEEK® is included for performing detailed, root-cause analysis down to the packet level.



LiveWire Edge

Use Cases: Small Branches, WAN Edge



LiveWire Core

Use Cases: Large Branches, Data Center to WAN Edge

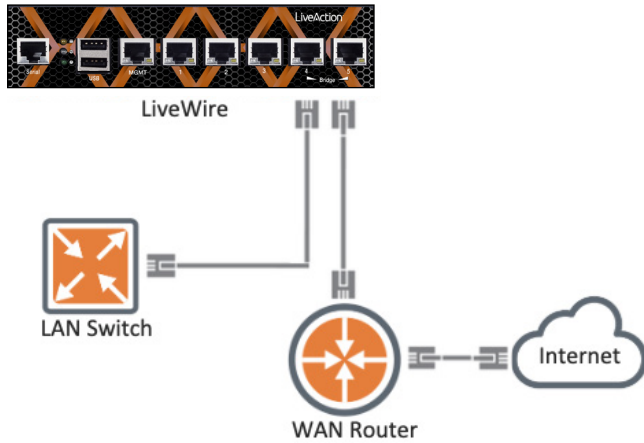


LiveWire PowerCore

Use Cases: Very Large Branches, Data Center, WAN, LAN

Benefits

- Saves money by having an affordable network monitoring appliance at every location
- Provides remote troubleshooting and reporting capabilities 24x7 without requiring travel
- Reduces mean time to resolution (MTTR) by providing advanced troubleshooting capabilities at the network edge
- Increases ROI of Omnicpliance deployments through use of OmnipEEK and Multi-Segment Analysis
- Troubleshoot VoIP calls with LiveNX Flow and Packet analysis



Long-Term Reporting

Placed inline to an Internet connection, LiveWire automatically begins collecting network statistics and trend data for immediate display and long-term reporting.

Users can instantly access in-depth analytics on network activity such as bandwidth utilization, application response times, flow volume, packet types, expert events, security events, and VoIP calls.

RECOMMENDED USES		
Remote Office Networks	Managed Service Providers	Small Businesses
<ul style="list-style-type: none"> Deploy the industry's first affordable network monitoring and diagnostics solution for remote offices Collect key network performance indicators and display the results in your web browser Eliminate travel to remote locations for network troubleshooting 	<ul style="list-style-type: none"> Provide services to more customers with the same staff Offer new and differentiated service offerings Respond to customer issues instantaneously from any location 	<ul style="list-style-type: none"> Understand your network performance through intuitive, web-based dashboards Make key network trouble-shooting data available to remote network professionals Install and configure LiveWire in less than 5 minutes

	LiveWire Edge	LiveWire Core	LiveWire PowerCore
Forensic Capture (CTD)	Up to 850MB	Up to 4GB	Up to 20GB
Export to LiveNX	Up to 160MB	Up to 3GB	Up to 16GB
Memory	16GB	32GB	196GB
Storage Capacity	1TB SSD	16TB	64 or 128TB
Device Dimensions / Weight	7-by-1.7-by-5.7-inches; 2.64 lbs	1U, 39 lbs	2U, 73 lbs
Omnipeek	Yes	Yes	Yes
VoIP Analysis	Yes	Yes	Yes